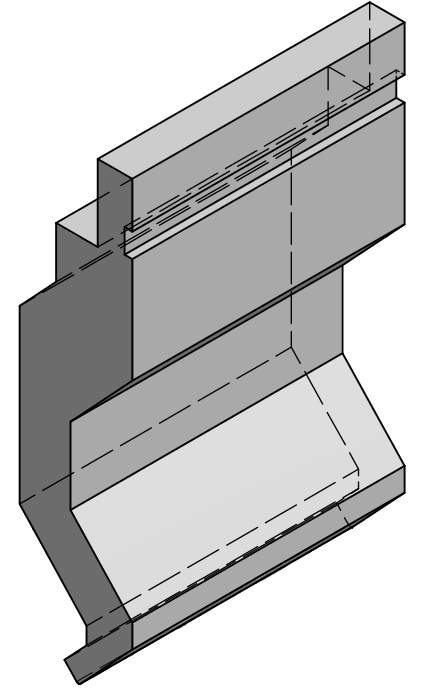
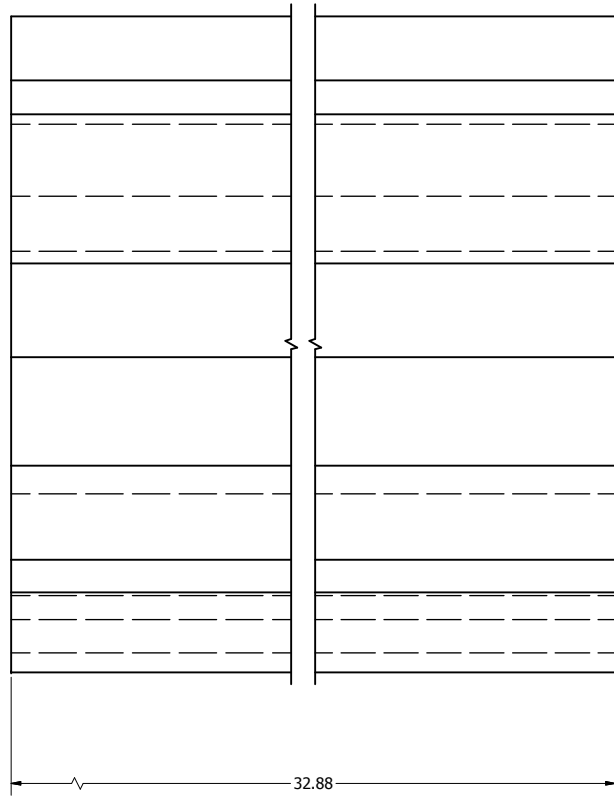
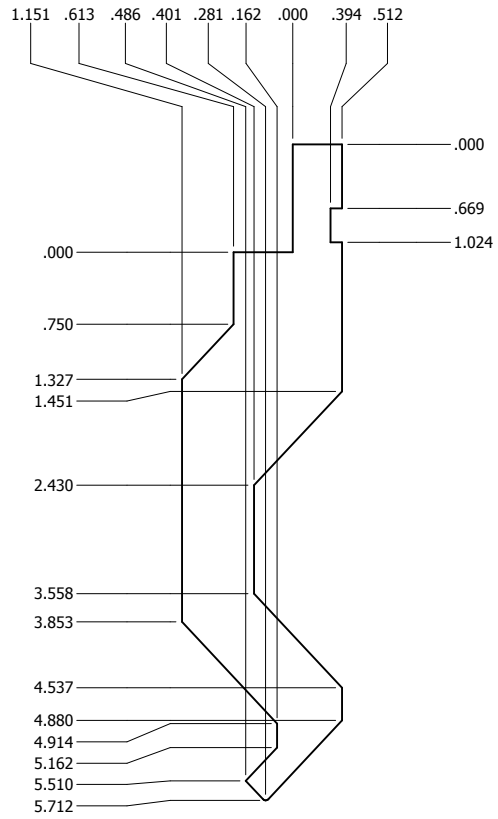


PARTS LIST			
ITEM	QTY	PART NUMBER	DESCRIPTION
1	1	EURO-TYPE-FRAME	



DRAWN		TITLE		
CHECKED		EURO-TYPE-FRAME		
QA		SIZE	DWG NO	REV
MFG		C		
APPROVED		SCALE	SHEET 1 OF 1	